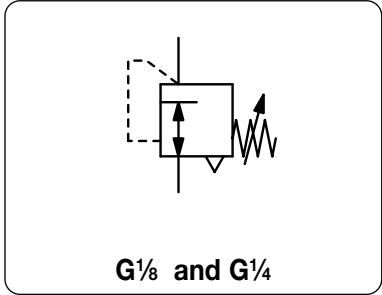


# CARTRIDGE PRESSURE REGULATOR

RC



<b>Description</b>	Piston-operated cartridge pressure regulator suitable for assembly block.
<b>Media</b>	compressed air filtered to 50 µm, lubricated or unlubricated
<b>Supply pressure</b>	max. 10 bar
<b>Adjustment</b>	by knurled-head screw with locknut
<b>Relieving function</b>	relieving
<b>Gauge port</b>	not available
<b>Mounting position</b>	any
<b>Temperature range</b>	0 °C to 60 °C / 32 °F to 140 °F, for appropriately conditioned compressed air down to -30 °C / -22 °F
<b>Material</b>	Body: nickel-plated brass Elastomer: NBR/Buna-N

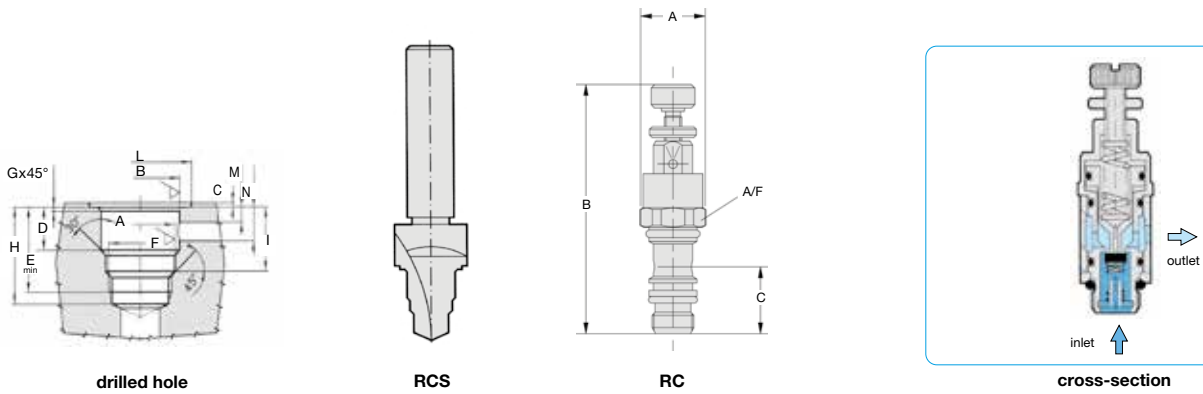


Dimensions				Flow rate	Supply pressure	Connection thread	Pressure range	Order number
A	B	C	A/F	l/min*1	max. bar	G	bar	

Cartridge regulator					supply pressure max. 10 bar, relieving, without constant bleed	RC
15	57	15	14	150	10	G <sup>1</sup> / <sub>8</sub> 1...8 bar <b>RC-01C</b>
19	63	18	17	260	10	G <sup>1</sup> / <sub>4</sub> 1...8 bar <b>RC-02C</b>

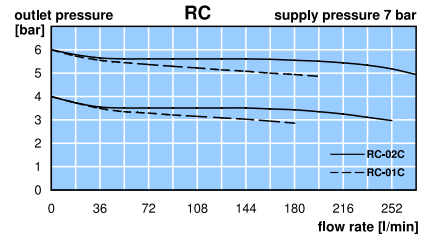


Step drill for cartridge seat				RCS
16	-	-	-	G <sup>1</sup> / <sub>8</sub> <b>RCS-01</b>
20	-	-	-	G <sup>1</sup> / <sub>4</sub> <b>RCS-02</b>



drill	F	A	B	C	D
<b>RCS-01</b>	1/8	9.8 - 0.1/-0	11.2 ± 0.05	0.5 ± 0.5	15.6 ± 0.07
<b>RCS-02</b>	1/4	13.5 + 0.1/-0	14.4 ± 0.05	0.5 ± 0.5	17.5 ± 0.07

drill	E	G	H	I	L	M	N
<b>RCS-01</b>	24.6	0.3	27	18.1 ± 0.2	15.4	3.5	12
<b>RCS-02</b>	28	0.4	31.2	20.8 ± 0.2	19.4	3.5	13.5



\*1 at 7 bar supply pressure, 6 bar outlet pressure and 1 bar pressure drop